



HDC-DD High Cycle Door

DIRECT DRIVE SPRINGLESS

TNR® combines rugged durability with high performance drive systems. Rubber roll-up doors are built for demanding industrial and commercial applications for:

HARSH ENVIRONMENTS

dirt, dust, rain, snow, temperature

HIGH TRAFFIC

and continual process flow demands

DOOR IMPACT CONCERNS

moving lift trucks, heavy equipment

HIGH WINDLOAD & PRESSURE DIFFERENTIAL

caused by exterior wind & positive pressure work environments



*Tough 'n' Ready
For Your Challenging
Environments*

HDC-DD: High Cycle Door—Direct Drive Springless

HDC: High Cycle Door—Chain Drive Springless

Applications: Manufacturing, food processing, automotive, bus transit stations, parking garages, postal, airports and railways.

High performance, high speed, high impact doors for your challenging environments.

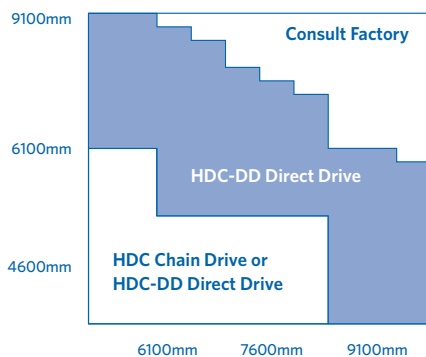
Process and Maintenance Engineers recognize the value of proven indestructibility, and endurance combined with high speed performance.

TNR® Mechanical Features

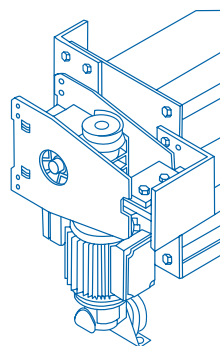
- 6.4mm Black SBR rubber with polyester core weave. Flexible and resistant to abusive environments and impacts in temperatures from -40°C to 82°C.
- Patented NEWGEN® guide and Curtain Lok™ system. Reliable and consistent door operation with impact release performance. No guide gap maintenance required.
- Withstands impact. After impact, the door is up and running in minutes.
- Knock away double angle steel bottom bar with rubber loop and reversing edge.
- Sleek profile with easy installation, reduced clearances & minimal maintenance.
- No hinges, cables, pulleys, or tension springs.
- Self-supporting steel frame.
- Guide mounted thru-beam photoelectric sensor.
- Options: colours, windows, hoods, traveling windbar, and MSHA-rated self-extinguishing curtains.

TNR® Drive Features

- High Efficiency Helical Gear Head (HG) Operator (HDC)
- Heavy Duty Gear Head Direct Drive Operator (HDC-DD)
- Options: access controls and specialty functions.

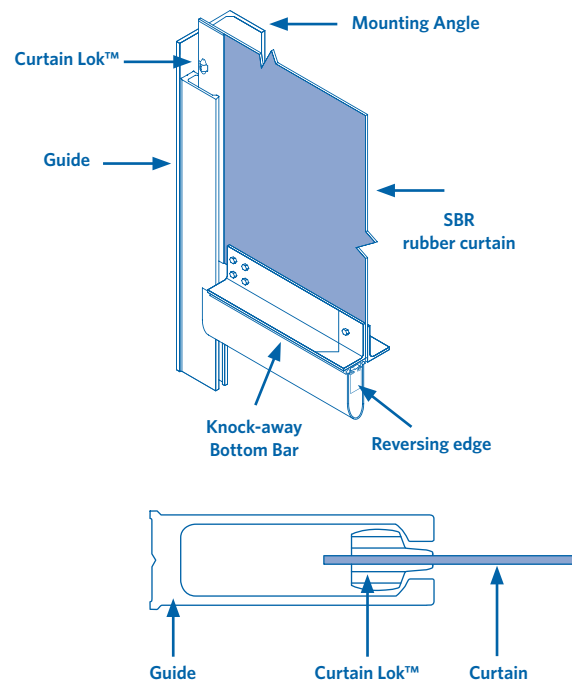


Heavy Duty Direct Drive Operator



Standard Features	HDC	HDC-DD
Open/Close Speed —metres/second (up to)	0.8/0.5	1.2/0.8
Direct Drive —Heavy Duty Worm Gear Head Operator		●
Chain Drive —Helical Gear Head Operator—For reduced side room	●	
Type of curtain —6.4mm Black SBR rubber with polyester core weave	●	●
Reversing edge —Unique pressure sensitive air-wave edge	●	●
Control panel —Multi-function capacity PLC with inverter drive for soft start/soft stop operation	●	●
Integrated control board —Provides advanced on-site programming capability with inverter drive for soft start/soft stop operation		●
Activation —Remotes, pull cords, loop detectors	●	●
Self Supporting Steel Frame —Steel Mounting Angle	●	●
Warranty —Limited lifetime on curtain and NEWGEN Guide. Five years or 1,000,000 cycles on operators with frequency drive. Two years on parts and workmanship.	●	●

NEWGEN® Guide and Curtain Lok™ system



Dealer: MAX Door Solutions Pty. Ltd.

Contact: Colin Fechner

1300 79 33 78 sales@maxdoors.com.au

PO Box 777, Biggera Waters, QLD, 4216 www.maxdoors.com.au

